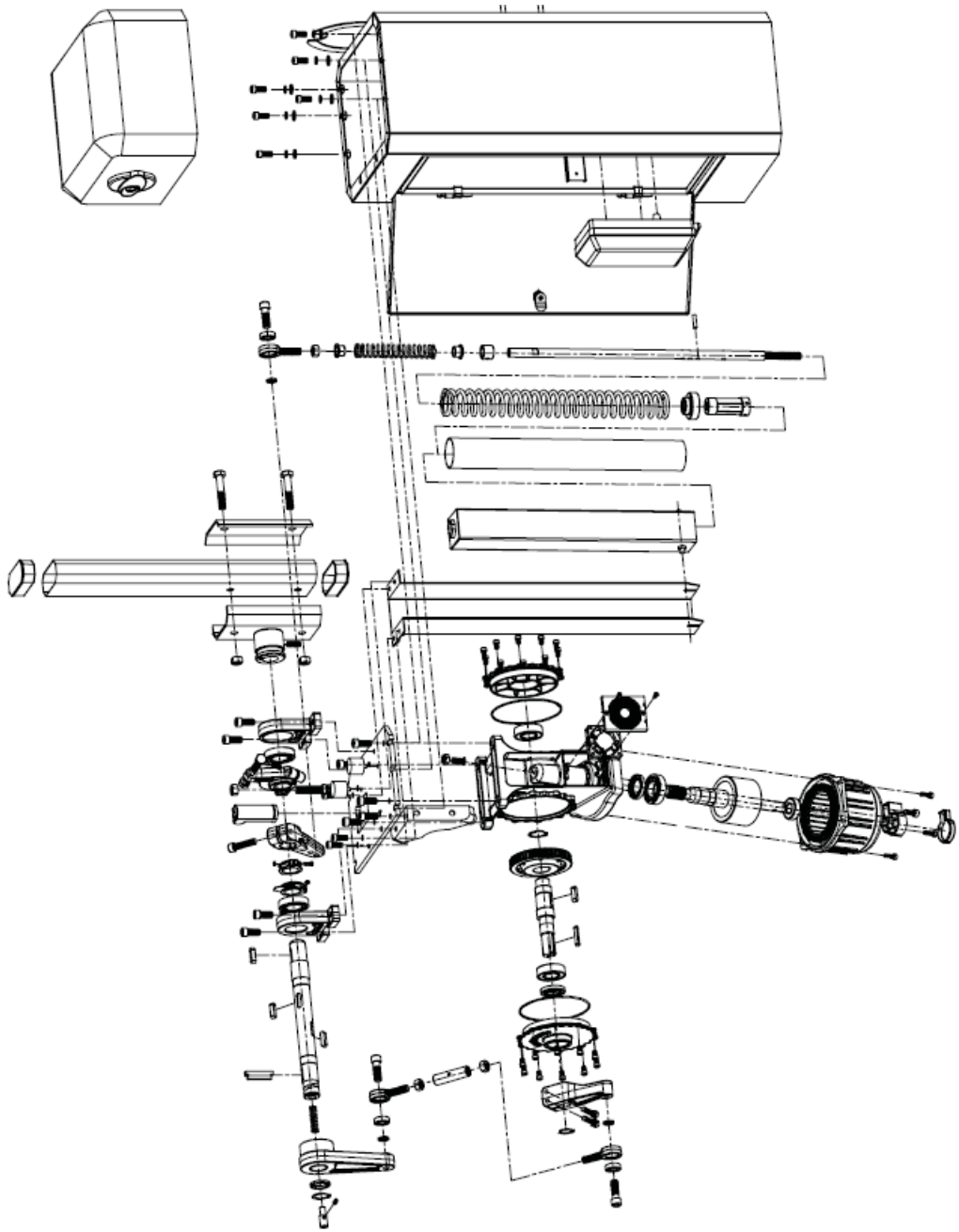
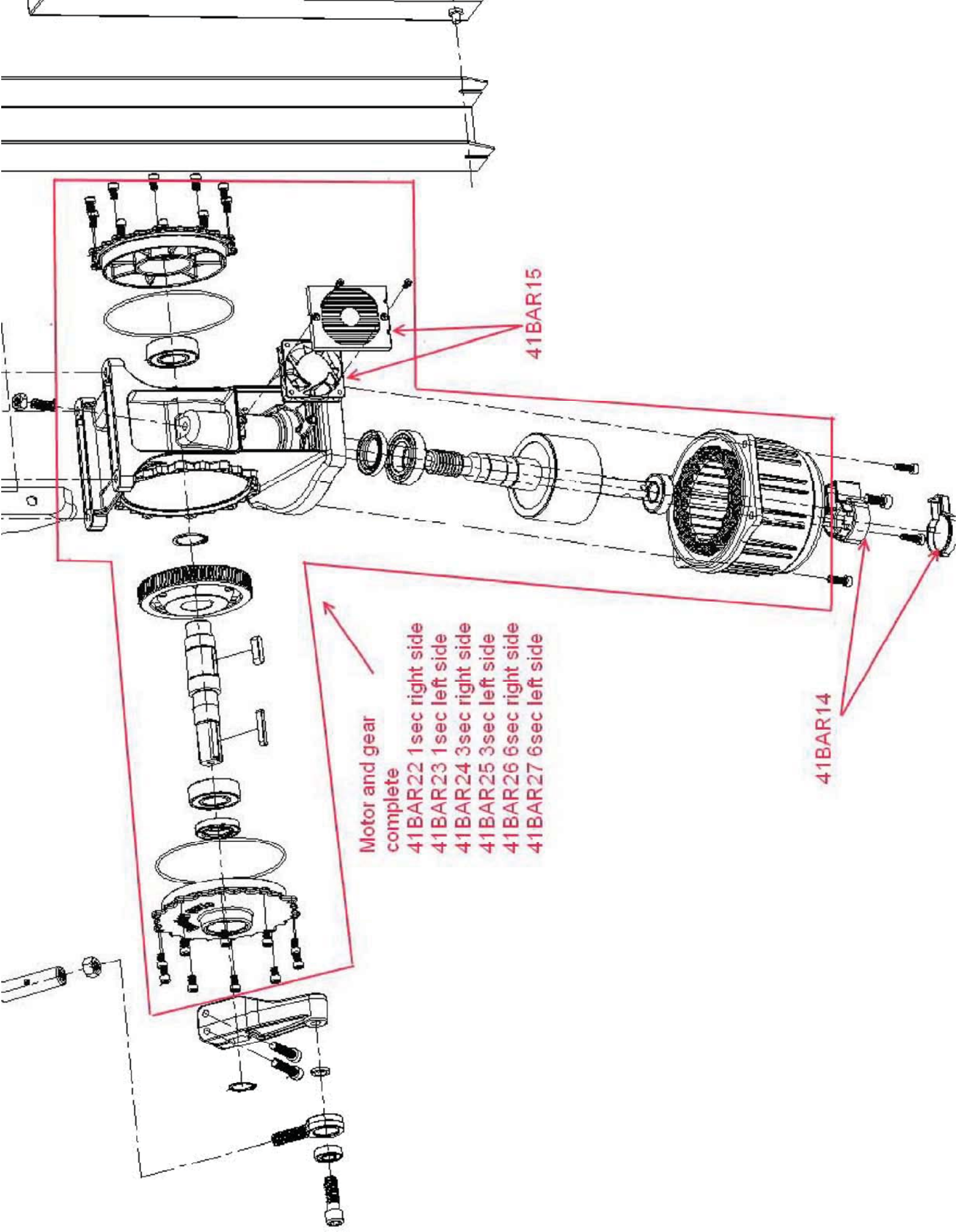




Replacement Parts Price List Barrier

Order Number	Item Number	Item Description	Euro List
41BAR1	041BAR001	Plugs steel for barrier installation 4piece	€39.60
41BAR2	041BAR002	Release Key 1x, Locking closure of release	€8.80
41BAR3	041BAR003	Boom mounting plate, 2x screws, 2x nuts, 4x washers and label	€35.20
41BAR4	041BAR004	Installation Bars 2x	€26.40
41BAR5	041BAR005	Receiver cable 80cm & connector	€13.20
41BAR6	041BAR006	Lock and keys for service Door	€17.60
41BAR7	041BAR007	Endcap for Boom / piece	€4.40
41BAR8	041BAR008	Labels reflective red for Boom10x	€22.00
41BAR10	041BAR010	Distance plate, 4 screws for folding boom adapter	€6.60
41BAR11	041BAR011	Connector & Adjustment hardware for folding boom adapter	€8.80
41BAR12	041BAR012	Capacitor Barrier 9+9µF	€26.40
41BAR13	041BAR013	Limit switch actuators, receiver & cable	€39.60
41BAR14	041BAR014	RPM Sensor complete with cable	€39.60
41BAR15	041BAR015	Fan assembly for barrier	€55.00
41BAR16	041BAR016	Box for Control board	€35.20
41BAR17	041BAR017	Main switch barrier	€22.00
41BAR18	041BAR018	Limits (Hard limits) rubber 2x large / 2x small	€22.00
41BAR19	041BAR019	Spring for S barrier upto 4.5m Dia: 5.5mm	€77.00
41BAR20	041BAR020	Spring for M barrier upto 6m Dia: 6.5mm	€77.00
41BAR21	041BAR021	Spring for L barrier upto 8m (1pcs./ 2 x required) Dia: 7.0mm	€165.00
41BAR22	041BAR022	Motor & gear complete for 1 second barrier - Right side	€330.00
41BAR23	041BAR023	Motor & gear complete for 1 second barrier - Left side	€330.00
41BAR24	041BAR024	Motor & gear complete for 3 second barrier - Right side	€330.00
41BAR25	041BAR025	Motor & gear complete for 3 second barrier - Left side	€330.00
41BAR26	041BAR026	Motor & gear complete for 6 second barrier - Right side	€330.00
41BAR27	041BAR027	Motor & gear complete for 6 second barrier - Left side	€330.00
41BAR28	041BAR028	Hardware complete for BAR-BM90	€99.00
41BAR29	041BAR029	Hardware complete for BAR-BM180	€99.00
41BAR30	041BAR030	Control Board Barrier 230Volt	€176.00
41BAR31	041BAR031	Actuator Tube for Folding Booms 180°/90° 150cm universal use. Requires welding	€44.00
41BAR32	041BAR032	Lever with release mechanism (motor lever up) 1-8m barrier	€60.00
41BAR33	041BAR033	Release mechanism Barrier	€19.90
41BAR34	041BAR034	Motor drive lever (attached to AC motor)	€60.00
41BAR35	041BAR035	Bearing plate for main shaft, one piece (2x installed) (Lagerbock mit Kugellager)	€60.00
41BAR36	041BAR036	Main shaft for boom 1-6m	€135.00
41BAR37	041BAR037	Boom holder for 1-6m booms (2 holes)	€110.00
41BAR38	041BAR038	Main shaft & boom holder (welded) 8m booms (4 holes)	€240.00
41BAR39	041BAR039	Boom enforcement tube (white) 8m boom w/o screws	€180.00
41BAR40	041BAR040	Mechanical END Limit with screws (main shaft)	€60.00
BAR-INSTK1	BAR-INSTK1	Installation kit complete for 90° or 180° boom	€44.00
41BARAL2003	041BARAL2003	Repair Paint RAL (Orange)	€30.80
41BARMAN	041BARMAN	CD with manual of Barrier in latest version	€1.10
BAR-H2	BAR-H2	Boom Holder	

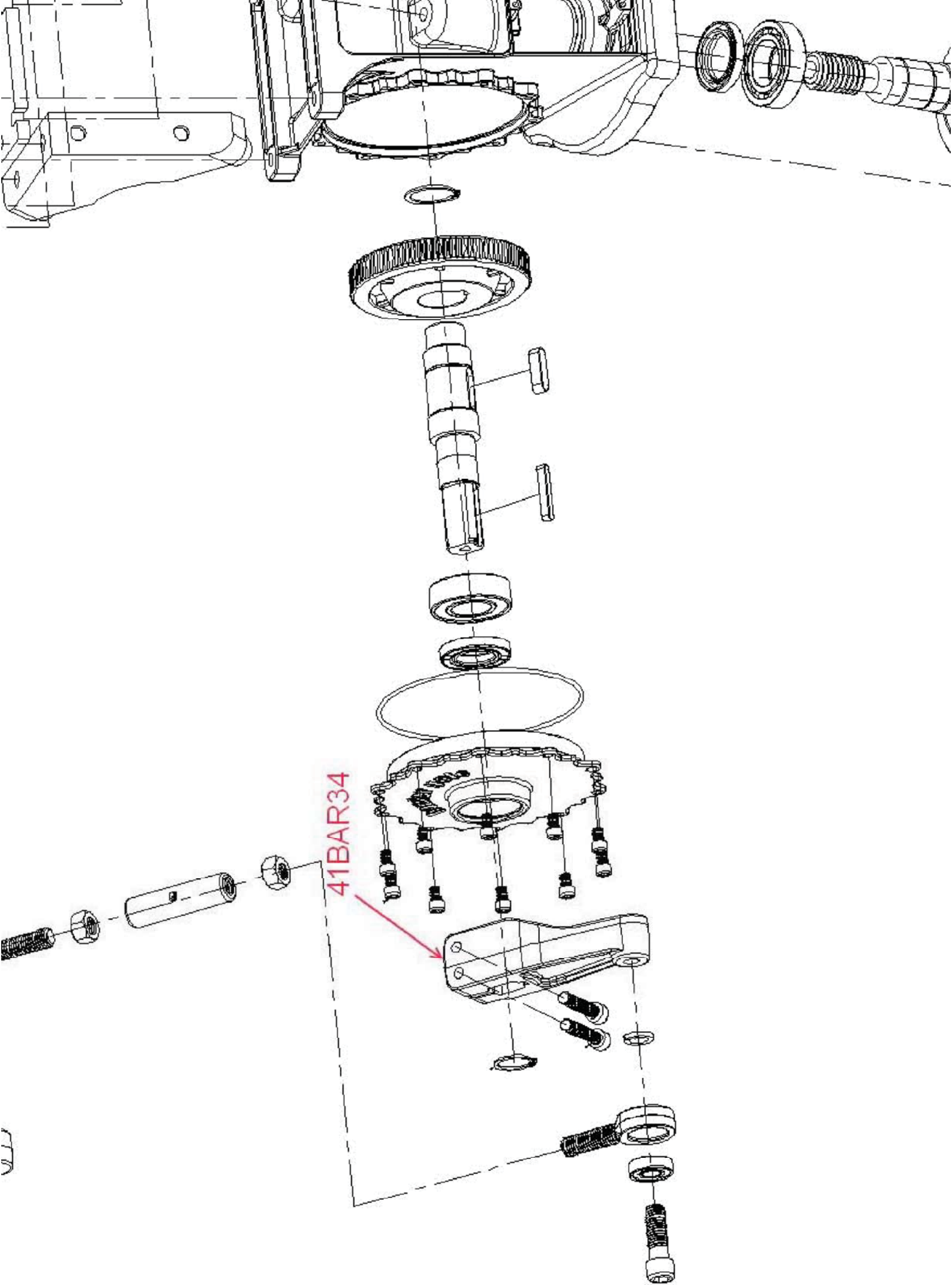


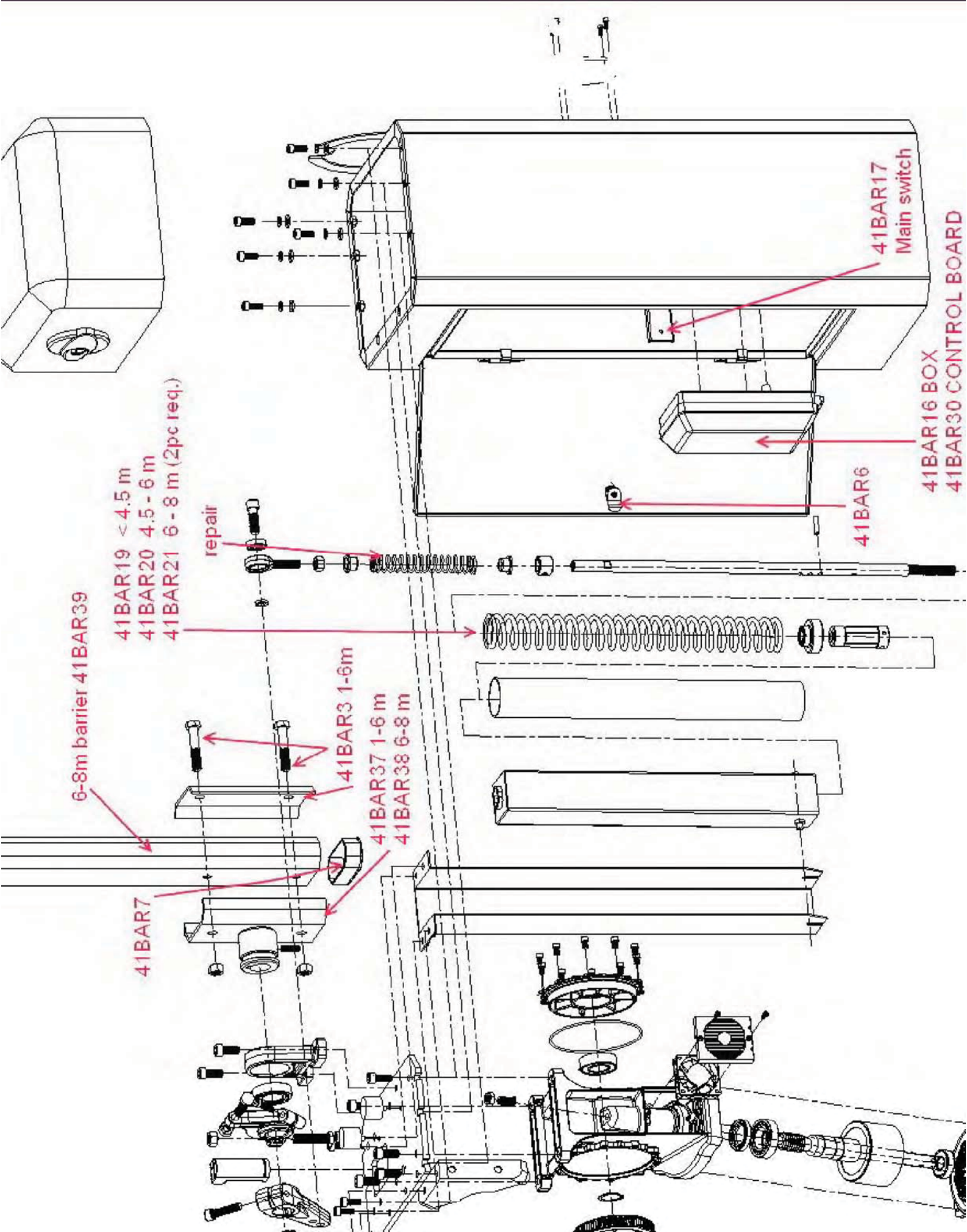


41BAR15

41BAR14

- Motor and gear complete
- 41BAR22 1sec right side
- 41BAR23 1sec left side
- 41BAR24 3sec right side
- 41BAR25 3sec left side
- 41BAR26 6sec right side
- 41BAR27 6sec left side





41BAR33

41BAR35

41BAR40

41BAR13

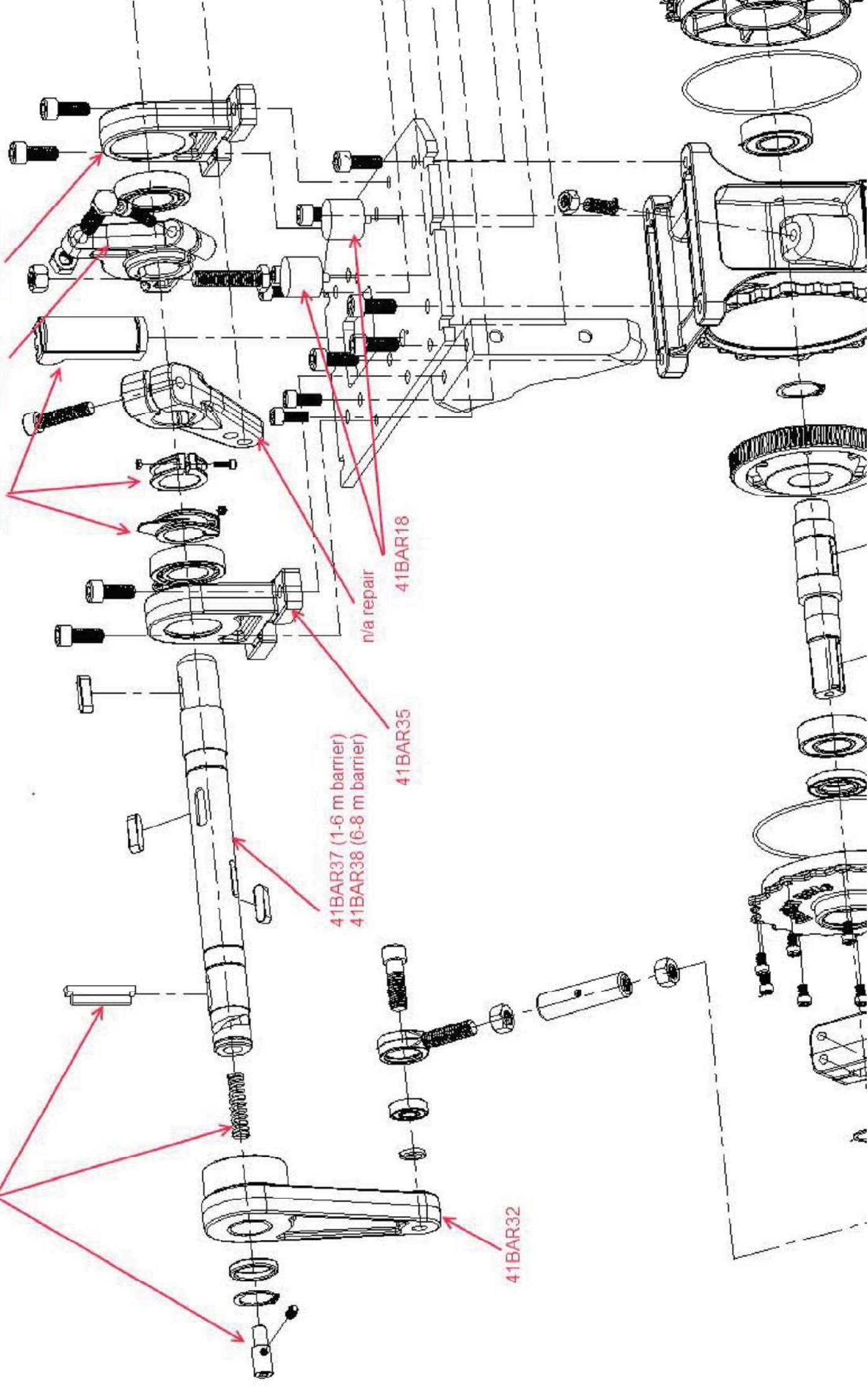
41BAR37 (1-6 m barrier)
41BAR38 (6-8 m barrier)

n/a repair

41BAR18

41BAR35

41BAR32







041BAR28



041BAR29



BAR-INSTK1

